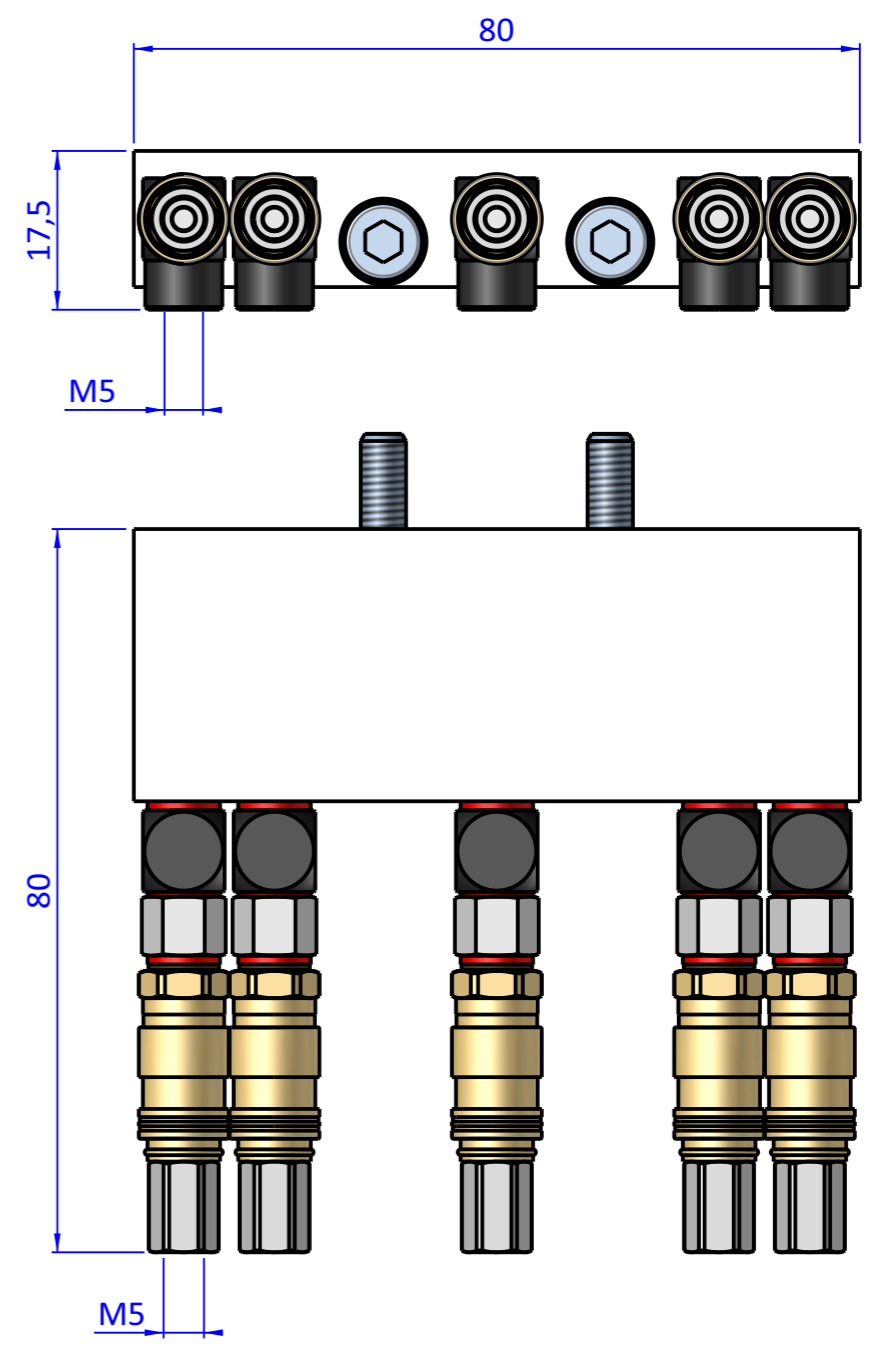
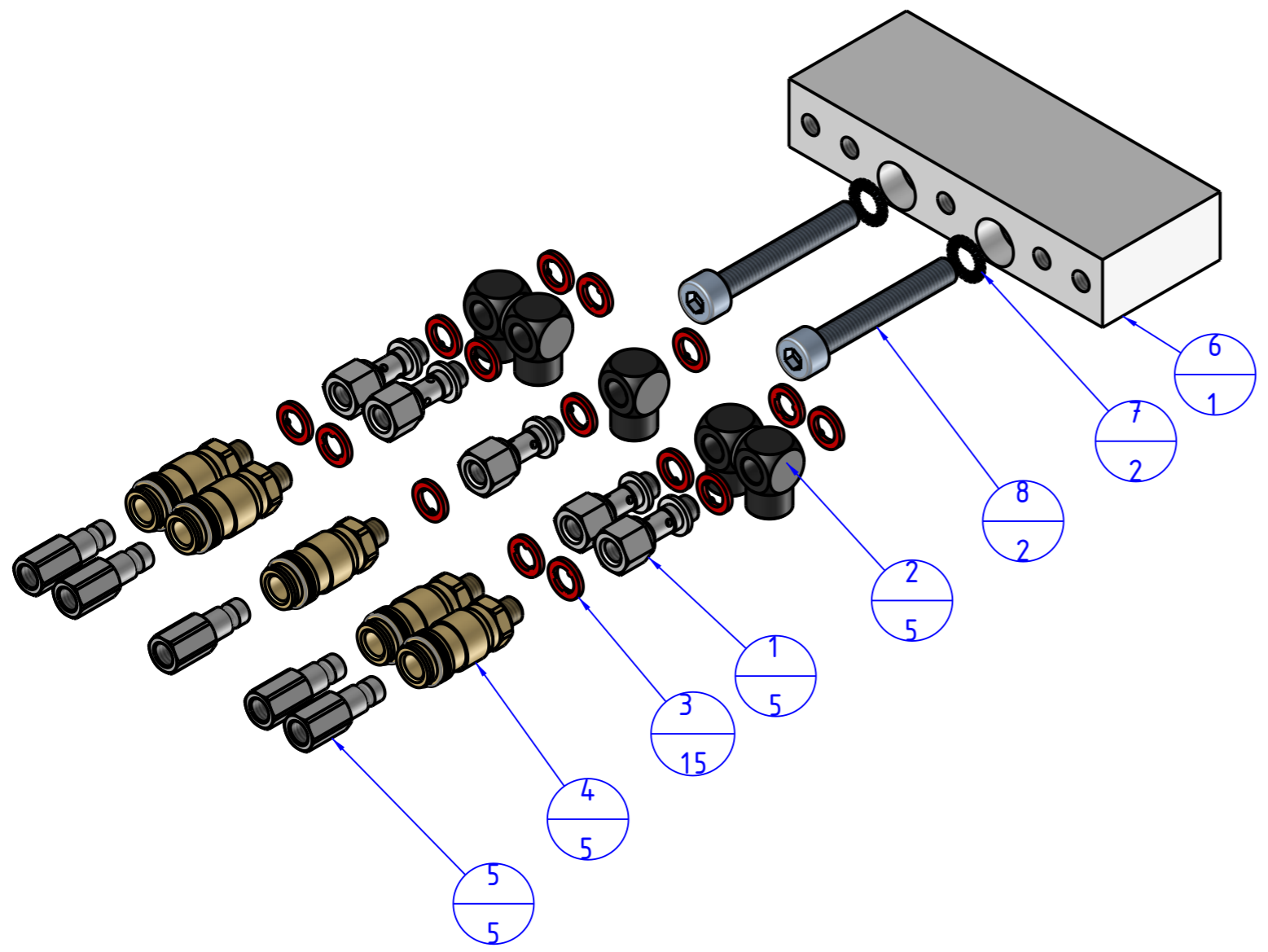



THE PROPERTY OF THE DRAWING IS ESTABLISHED BY LAW. IT IS FORBIDDEN TO PRODUCE OR SHOW IT TO THIRD PART. WITHOUT A WRITTEN AGREEMENT.

Item	Name	Qty.
1	CA.01.08.005	5
2	CA.01.08.008	5
3	CA.08.09.05	15
4	CA.12.06.003	5
5	CA.12.06.008	5
6	LAL.0.5	1
7	R.5.SCH	2
8	V.TCE5x35	2



Format A3
UNI 936-76

 FPS FPSERVICES AUTOMATION		DESIGNED FROM FPS Automation		REVIEW A	
		DATE 03/04/2023	WEIGHT 0,200kg		
GENERAL TOLERANCE UNI - ISO 2768 CLASSE f	DESCRIPTION CA.LAL.0.5		CODE CA.LAL.0.5		